

# Oceano R5

## Oceanographic acoustic release

Oceano R5 is the latest version of Exail's oceanographic acoustic release. It is ideal for releasing up to 2,500 kg payload after a long-term deployment in harsh environment down to 6,000 m water depth. Fitted with a positive drive-off release mechanism, it is extremely reliable. The combination of an optimized design in a robust Super Duplex Stainless Steel (SDSS) housing offers outstanding corrosion resistance.



### RELIABILITY

- Corrosion resistant SDSS housing
- Positive drive-off mechanism
- Back-up cell for release
- Compact design

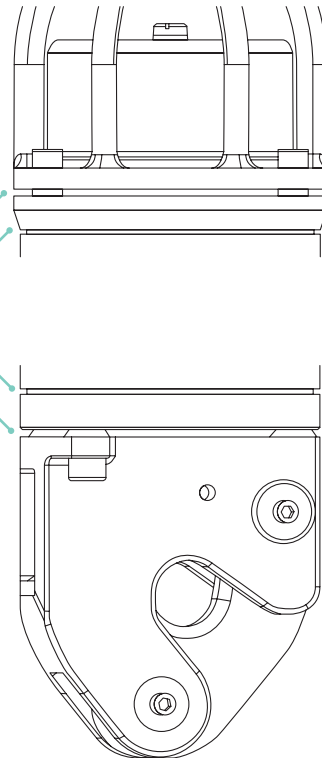
### PERFORMANCE

- Unrivaled battery life (60 months @ 0°C)
- Alkaline off-the-shelf batteries
- Capable of releasing up to 2,500 kg payload
- Operable down to 6,000 m water depth

### CORROSION PREVENTION

The design enabling waterflow all round the housing by minimizing the mechanical interfaces:

- between the transducer guard and the upper end-plate
- between the tube housing and both end-plates
- between the release mechanism and the lower end-plate



## TECHNICAL SPECIFICATIONS

### General

Operating temperature	-5 °C to +40 °C
Storage temperature	-20 °C to +70 °C
Acoustic commands	Ranging, release, release with pinger, pinger ON/OFF, diagnostic (verticality status and battery voltage)
Shipping	Plywood transit case, 790 x 280 x 240 mm, 36 kg

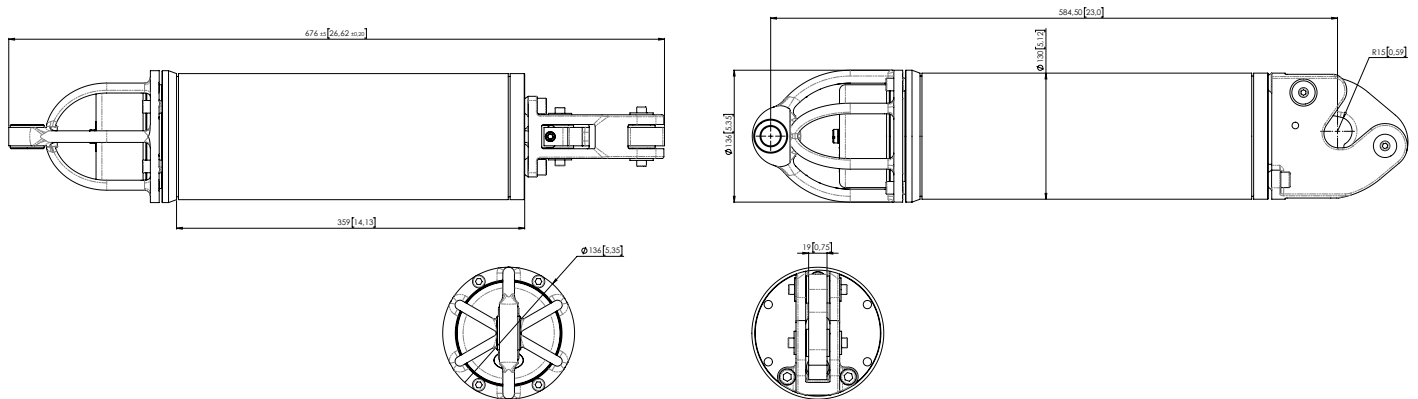
### Mechanics

Load characteristics	2,500 kg SWL* / 2,500 kg RL** / 5,000 kg TL***
Overall dimensions (dia x L)	136 x 676 mm
Overall weight (air/water)	25 kg / 19 kg

### Acoustic

Operating frequency	Low frequency (8.0 to 16.0 kHz)
Transducer beam pattern	Omnidirectional (horizontal plan) / Hemispherical (vertical plan)
Operating life	60 months @ 0°C (Alkaline)
Range	More than 10,000 m depending on ambient noise and acoustic propagation conditions

### Mechanical drawings



\*SWL - Safe Working Load. The maximum static or dynamic load that can be supported by the instrument in normal operating conditions with no release command in progress.

\*\*RL - Release Load. The maximum load that can be supported by the hook while it is activated (DC motor rotating).

\*\*\*TL - Test Load. The maximum load that can be supported by the instrument without permanent damage or water ingress (not to be used in normal operation mode).