

Oceano MT912S Series

Medium Frequency – Miniature Transponder

The MT912S Series mini transponder, designed for use down to 1,000 m water depth, is a compact, lightweight and rugged MF acoustic transponder / responder, which makes it an ideal tool for AUV, ROV, and tow fish tracking operations. The MT912S Series miniature transponder is a versatile unit easy to use and can be configured to suit any kind of underwater vehicle. Paired with Gaps M3 and M5, MT912 achieve stable and precise subsea positioning up to 1000m operating range even in harsh conditions. MT912S Series is featuring an omnidirectional transducer and it is fitted with internal rechargeable battery pack but it can also be operated from external power supply voltage. MT912S Series is available with integral transducer or with split head (remotetransducer).



FEATURES & BENEFITS

- Fully compatible with Gaps USBL system
- 1,000m typical operating range
- 1,000 m depth rated
- Wide bandwidth transmit signals
- Integral omni-directional acoustic transducer with protective cage
- Transponder and responder operating modes
- External ON / OFF plug
- Long life Ni-MH rechargeable battery
- External power supply (15-30Vdc, 15 W peak transmitting / 30 W charging Ni-MH batteries)
- Micro Subconn 8-way connector for external power supply and responder signal inputs
- Supplied with charging / interface adaptor and responder interface cable

APPLICATIONS

- ROV tracking
- AUV tracking
- Tow fish USBL tracking

DESIGNED FOR

- Gaps M3
- Gaps M5

OPTIONS

- Remote acoustic transducer configuration

TECHNICAL SPECIFICATIONS

General

Operating range	< 1000 m*
Operating temperature	-5 °C to +40 °C
Storage temperature	-20 °C to +50 °C
Shipping	Plywood transit case, 680 x 280 x 210 mm, 11 kg
Transducer beam pattern	Omnidirectional
Receiving channels	1 tonal channel, field selectable among 4 (19.5, 20, 20.5 and 21 kHz)
Transmit frequency band	21.7 to 30.3 kHz, 12 M-FSK wide-spectrum codes, 10 ms width

Electrical

Internal battery	Long life Ni-MH rechargeable battery
Operating life	4 months
Number of Replies (@ 20 °C)	100,000
External power supply	15 - 30 Vdc, 30 W peak
Interface connector	Micro Subconn 8 pins female
Interface pigtail cable (3 m long)	P/n SCA00092 (upon drawing 9300218)

Mechanical

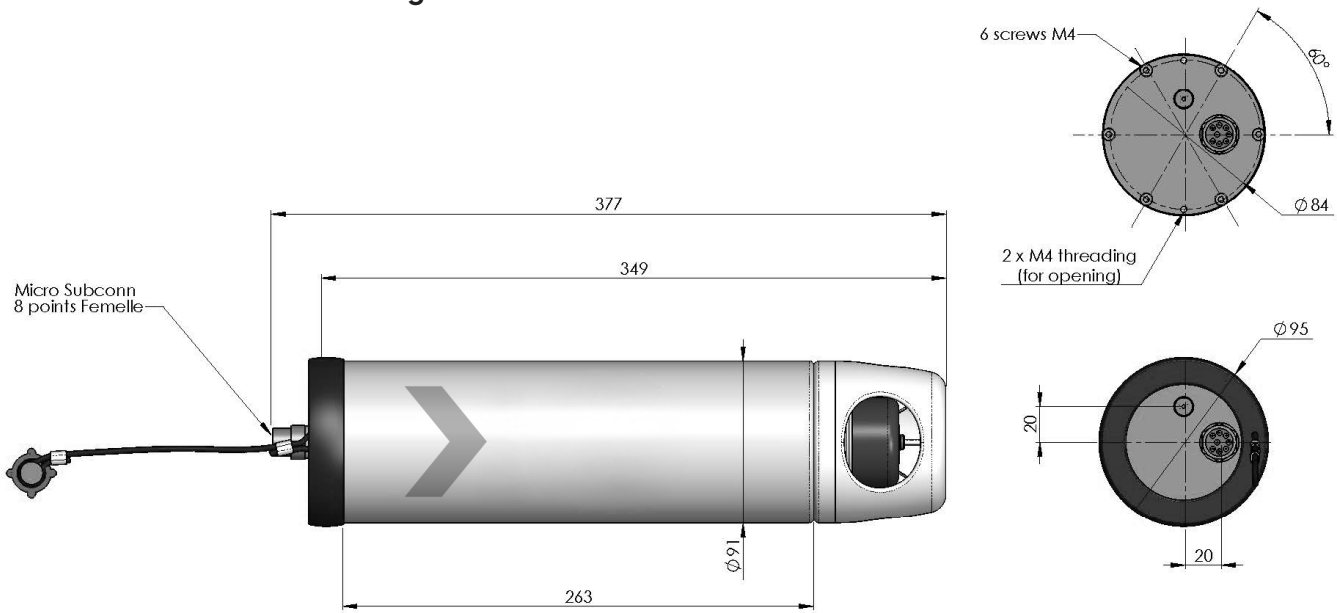
Construction	316 L stainless steel body with polyurethane coating
Depth rating	1,000 m

Dimensions

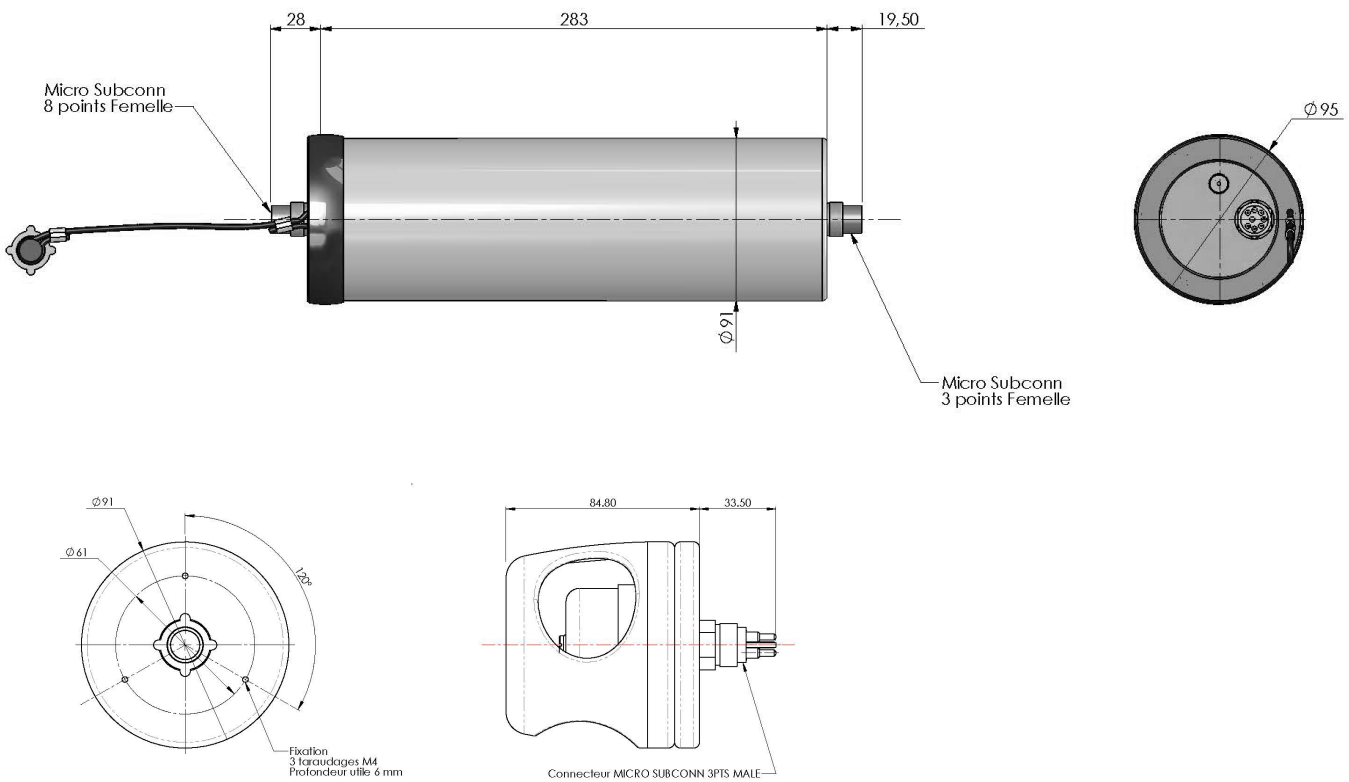
Model	MT912S-R	MT912S/HD-R
Ordering part number	KAA00156	KAA00155
Drawing number	4459100	4459110
Transducer type	Integral transducer	Remote transducer PET962S (p/n KAA00178 / drawing 9400067) with 3 m long interconnect cable (p/n FCS00010 / drawing 9300212)
Container dimensions	L = 349 mm without connector L = 377 mm with connector Dia.=91 mm	L = 283 mm without connector L = 330 mm with connector Dia. = 91 mm
Transducer dimensions		H = 84 mm (3.3") without connector Dia. = 91 mm (3.6")
Overall weight	4.4 kg (air) 2.3 kg (water)	5.6 kg (air) 3.0 kg (water) Including transducer and cable

*: positioning range with Gaps USBL system, surface noise level of 92 dB ref 1µPa/√Hz

MT912S-R Mechanical drawing



MT912S/HD-R Mechanical drawing



Specifications subject to change without notice.